

MCS-B Power supply 1-phase, primary switched IN: 95-265VAC OUT: 4-6V/3ADC

INPUT: 95...265 V AC
 OUTPUT: 4.2...6 V DC
 Current: 3 A

Image

- stable output voltage, short-circuit and overload protected
- Wide voltage input
- touch protected (EN 60529) IP20

Vicarious picture

Input

Voltage range	95...265 V AC; 110...300 V DC
Input current	0.3 A (115 V AC); 0.2 A (230 V AC)
Inrush current after 1 ms	<= 15 A
Primary fusing	max. 10 A
Frequency	50/60 Hz

Output

Output voltage	5 V DC (SELV), $\pm 1\%$; 4.2...6 V adjustable
Output current	3 A (+40 °C); 2.5 A (+55 °C)
	80 %
Mains failure bridging	>= 30 ms (115 V AC); >= 180 ms (230 V AC)
Ripple	<= 20 mV rms
Spikes	<= 120 mV p-p
Protection	Short-circuit and overload protected
LED display	LED (green) for output voltage
Parallel usage/serial usage	no/yes (max. 2 units)

General data

Standards	(EN 60950-1), (EN 61204-3), (EN 55022 B), (EN 61000-3-2)
Mounting method	DIN-rail mountable TH35 (EN 60715)
Relative humidity	5...95 %, no condensation
Temperature range	0...+40 °C, to +55 °C derating (storage temperature -25...+85 °C)
Dimensions H x W x D x Da	76 x 38 x 80 x 7,5 mm

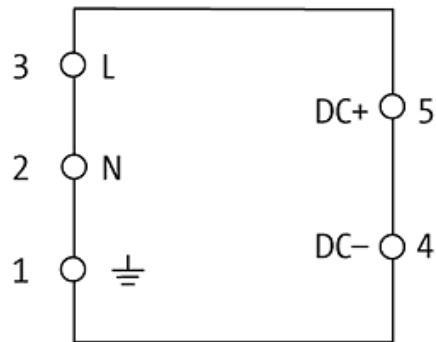
Commercial data

Net weight	270
Net weight	160
Weight unit	gram
Basic unit	pc.
Customs tariff number	85044090
Unit (piece)	1
Limited value	1

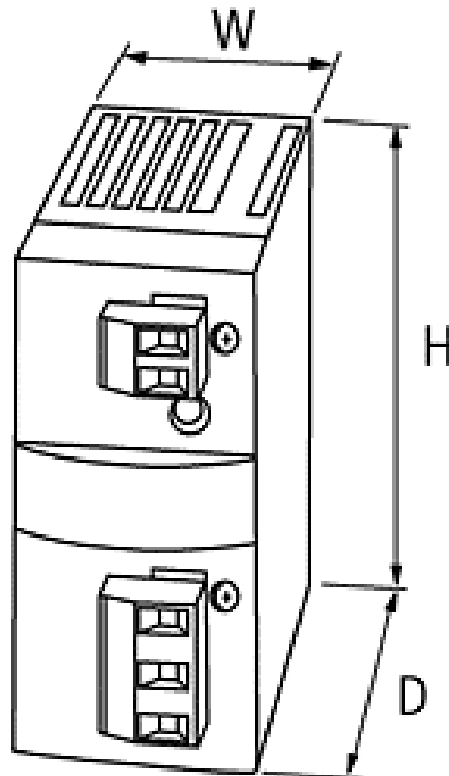
Comments

This switch mode power supplies meet the (EN 61000-3-2) standard for harmonic current.

Circuit diagram



Dimension drawing



Representante oficial de:



[Argentina – Uruguay – Paraguay – Bolivia – Colombia – y Perú.]



Calle 49 N° 5764 - Villa Ballester (B1653AOX) - Prov. de Buenos Aires - ARGENTINA
Tel: (+54 11) 4768-4242 / Fax: (+54 11) 4849-1212
Mail: ventas@nakase.com.ar / Web: www.nakase.com.ar

