

**MCS-B Power supply 1-phase, primary switched IN: 90-265VAC OUT: 24V/0,6ADC**

INPUT: 90...265 V AC

OUTPUT: 24 V DC

Current: 0.6 A

**Image**

- stable output voltage, short-circuit and overload protected
- Wide voltage input
- touch protected (EN 60529) IP20

Vicarious picture

**Approvals****Input**

Voltage range	90...265 V AC; 110...300 V DC
Input current	0.3 A (100 V AC); 0.2 A (230 V AC)
Inrush current after 1 ms	<= 20 A
Primary fusing	max. 10 A
Frequency	50/60 Hz

**Output**

Output voltage	24 V DC (SELV), +3/-1 %
Output current	0.6 A (+50 °C); 0.5 A (+60 °C)
	81 % (100 V AC); 83 % (230 V AC)
Mains failure bridging	>= 25 ms (100 V AC); >= 150 ms (230 V AC)
Ripple	<= 50 mV rms
Spikes	<= 350 mV p-p
Protection	Short-circuit and overload protected
LED display	LED (green) for output voltage
Parallel usage/serial usage	no/yes (max. 2 units)

**General data**

Standards	(EN 60950-1), (EN 61204-3), (EN 55022 B), (EN 61000-3-2)
Mounting method	DIN-rail mountable TH35 (EN 60715)
Relative humidity	5...95 %, no condensation
Temperature range	0...+50 °C, to +70 °C derating (storage temperature -25...+85 °C)
Dimensions H x W x D x Da	76 x 38 x 80 x 7,5 mm

**Commercial data**

Net weight	160
Net weight	160
Weight unit	gram
Basic unit	pc.
Customs tariff number	85044090
Unit (piece)	1
Limited value	1

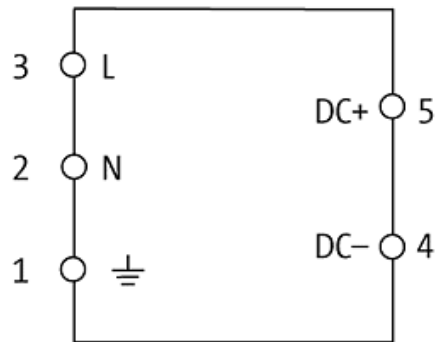
**Comments**

This switch mode power supplies meet the (EN 61000-3-2) standard for harmonic current.

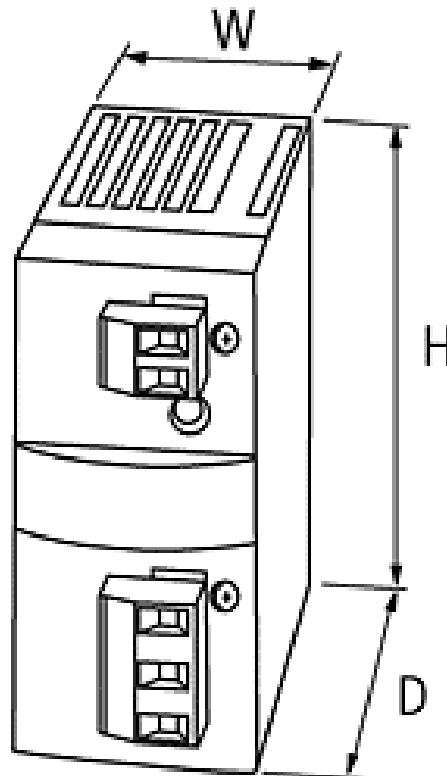
All data on this data sheet was compiled carefully.

Liability regarding correctness, completeness, and actuality is limited to gross negligence. Created: 06/12

## Circuit diagram



## Dimension drawing



Representante oficial de:



[Argentina – Uruguay – Paraguay – Bolivia – Colombia – y Perú.]



Calle 49 N° 5764 - Villa Ballester (B1653AOX) - Prov. de Buenos Aires - ARGENTINA  
Tel: (+54 11) 4768-4242 / Fax: (+54 11) 4849-1212  
Mail: [ventas@nakase.com.ar](mailto:ventas@nakase.com.ar) / Web: [www.nakase.com.ar](http://www.nakase.com.ar)

