

**Moeller contactor suppressor diode, 0...240VDC**

24...240 V DC  
Diode

**Image**

Vicarious picture

**Approvals****Appropriate contactors**

DIL 0-2...M, DIL R...

**Technical Data**

Damping factor	approx. 1.5 × UN
Temperature range	-20...+70 °C
Material	Flame retardant plastic acc. to (UL 94)
Connection wires	Plug contact

**Commercial data**

Net weight	17
Net weight	17
Weight unit	gram
Basic unit	pc.
Customs tariff number	85363010
Unit (piece)	1
Limited value	1

**Comments**

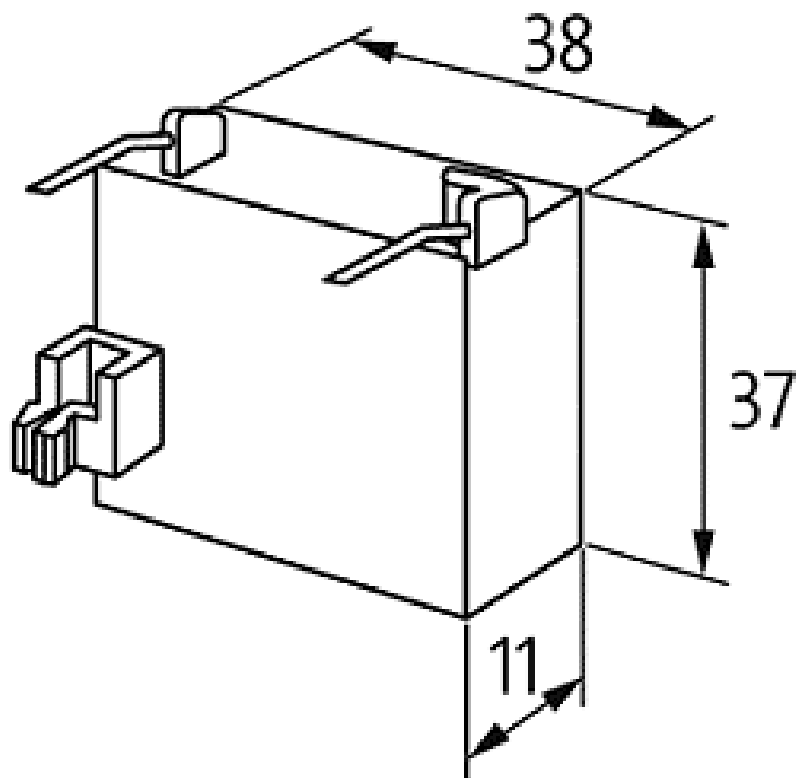
For other configurations and voltages, please inquire

Circuit diagram



# Diode

Dimension drawing



Representante oficial de:



[Argentina – Uruguay – Paraguay – Bolivia – Colombia – y Perú.]



Calle 49 N° 5764 - Villa Ballester (B1653AOX) - Prov. de Buenos Aires - ARGENTINA  
Tel: (+54 11) 4768-4242 / Fax: (+54 11) 4849-1212  
Mail: [ventas@nakase.com.ar](mailto:ventas@nakase.com.ar) / Web: [www.nakase.com.ar](http://www.nakase.com.ar)

