

TS 640, TS 642 and TS 740

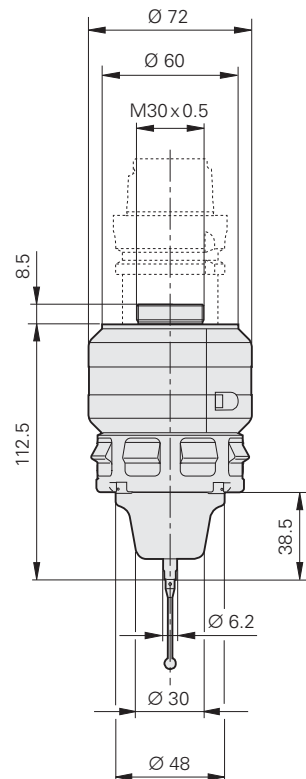
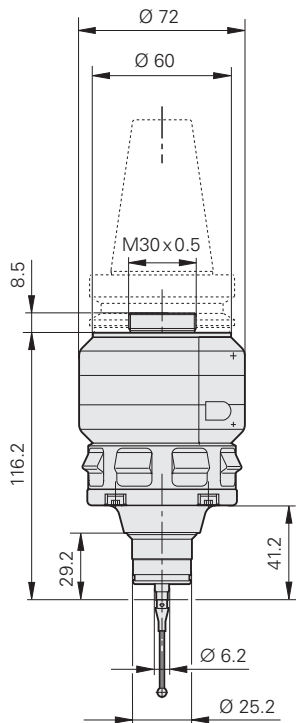
Workpiece Touch Probes with Infrared Transmission



TS 640/TS 642



TS 740



mm

 Tolerancing ISO 8015
 ISO 2768 - m H
 < 6 mm: ±0.2 mm

Workpiece touch probe	TS 640	TS 642	TS 740
Probe accuracy	≤ ± 5 µm when using a standard stylus		≤ ± 1 µm when using a standard stylus
Probe repeatability Repeated probing from one direction	2 σ ≤ 1 µm at a probing velocity of 1 m/min <i>Typical values:</i> 2 σ ≤ 1 µm at a probing velocity of 3 m/min 2 σ ≤ 4 µm at a probing velocity of 5 m/min		2 σ ≤ 0.25 µm at a probing velocity of 0.25 m/min
Deflection of probe contact	≤ 5 mm in all directions (with stylus length L = 40 mm)		
Deflection force	Axial: Approx. 8 N Radial: approx. 1 N		Axial: Approx. 0.6 N Radial: approx. 0.2 N
Probing velocity	≤ 5 m/min		≤ 0.25 m/min
Protection EN 60529	IP 67		
Operating temperature	10 °C to 40 °C		
Storage temperature	-20 °C to +70 °C		
Weight without taper shank	Approx. 1.1 kg		
Taper shank*	<ul style="list-style-type: none"> • With taper shank* (overview on page 18) • Without taper shank (connecting thread M30 x 0.5), not with TS 642 		
Signal transmission	Infrared transmission with 360° range		
Transmission angle of infrared signal*	0° or +30°		
Transmitter/receiver unit*	SE 540 or SE 640		
TS switch-on/off	Infrared signal from SE	Via switch in taper shank	Infrared signal from SE
Power supply	Two rechargeable or nonrechargeable batteries, 1 V to 4 V each, size C or size A ¹⁾		
Battery life ²⁾ (typically)	800 h	800 h ³⁾	500 h

* Please select when ordering

¹⁾ Via adapter, included in delivery

²⁾ In continuous operation with lithium batteries, 3.6 V/6000 mAh; with the lithium batteries, size A, included in delivery only half the service life is reached

³⁾ Reduced service life as replacement for TS 632

Representante oficial de:



HEIDENHAIN

[Argentina – Bolivia – Chile – Colombia - Costa Rica – Ecuador - El Salvador –
Guatemala – Honduras – Nicaragua – Panamá – Paraguay – Perú -
República Dominicana – Uruguay – Venezuela.]



Calle 49 N° 5764 - Villa Ballester (B1653AOX) - Prov. de Buenos Aires - ARGENTINA
Tel: (+54 11) 4768-4242 / Fax: (+54 11) 4849-1212
Mail: ventas@nakase.com.ar / Web: www.nakase.com.ar

