

Synchronous servo motors

# IndraDyn S

## MSM - for compact drives



Synchronous servo motors

**IndraDyn S ■ MSM - for compact drives**

Documentation

**High dynamics and compact design**

- torque up to 7.1 Nm
- speed up to 5,000 rpm
- Multi-turn absolute encoder
- High dynamic performance
- High performance density

The maintenance-free MSM motors are available in five sizes rated at up to 750 W continuous mechanical power. These short-length motors feature high power density and minimized flange dimensions, making them the ideal choice in a wide range of application scenarios.

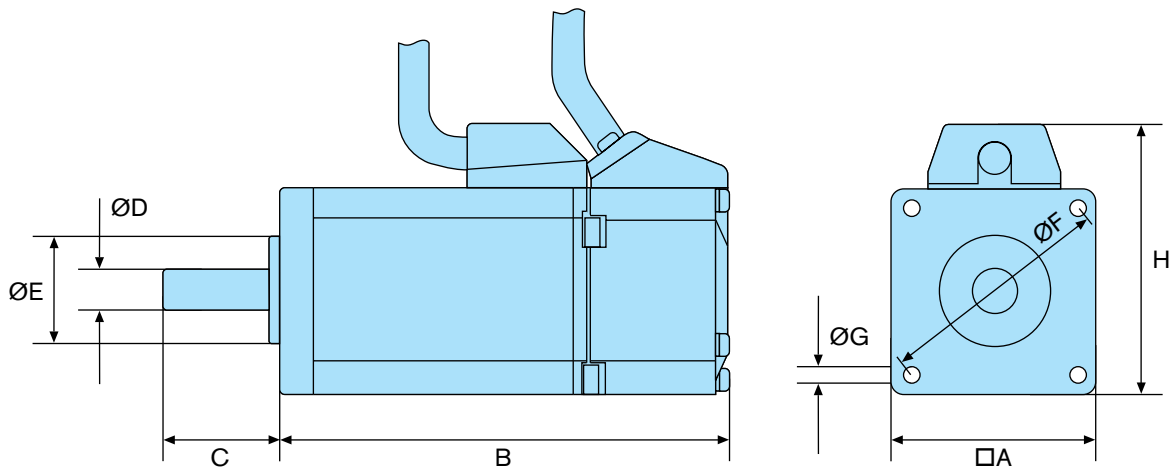
The IP54 motors come with an absolute encoder and optional holding brake, and they are predestined for use with IndraDrive Cs servo drives with 3 AC 230 V line input.

**Technical data****Electrical data**

Type	Maximum speed	Torque at standstill	Maximum torque	Maximum current	Moment of inertia	
	$n_{Max}$	$M_0$	$M_{Max}$	$I_{Max}$	$J$	
	[1/min]	[Nm]	[Nm]	[A]	[kgm <sup>2</sup> ]	
MSM019A-0300	5000	0.16	0.48	3.3	0.000003	
MSM019B-0300		0.32	0.95		0.000005	
MSM031B-0300		0.64	1.91		4.9	0.000014
MSM031C-0300		1.3	3.8		7.7	0.000026
MSM041B-0300	4500	2.4	7.1	12	0.000087	

**Dimensions**

Synchronous servo motors

**IndraDyn S ■ MSM - for compact drives**

Type	A	B	C	Ø D	Ø E	Ø F	Ø G	H	Mass
	[mm]	[mm]	[mm]	[mm]	[mm]	[mm]	[mm]	[mm]	[kg]
MSM019A-0300	38	72	25	8	30	45	3.4	51	0.32
MSM019B-0300		92							0.47
MSM031B-0300	60	79	30	11	50	70	4.5	73	0.82
MSM031C-0300		98.5		14					1.2
MSM041B-0300	80	112	35	19	70	90	6	93	2.3

Representante oficial de:

**Rexroth**  
Bosch Group

[Argentina]



Calle 49 N° 5764 - Villa Ballester (B1653AOX) - Prov. de Buenos Aires - ARGENTINA  
Tel: (+54 11) 4768-4242 / Fax: (+54 11) 4849-1212  
Mail: [ventas@nakase.com.ar](mailto:ventas@nakase.com.ar) / Web: [www.nakase.com.ar](http://www.nakase.com.ar)

---

